

borg &
overström



Distinctive
by design.

t2

borg&
overström

Refined hydration, digital precision

The T2 is a next-generation digital tap system. It's bold yet practical with a premium finish. Combined with the ultra-compact ProCore™ water processing unit, the T2 integrates seamlessly into any work area or communal space.



Distinctive
by design.

Refined hydration

The T2 has sleek lines, a contemporary profile, and is finished to the highest standard. With a built-in drip tray and 310mm dispense area for refilling bottles and jugs, it's also a highly practical solution for modern workplaces.

Advanced UV protection built-in

As an option, the T2 can be fitted with Viovandit™, a mercury-free, chemical-free and energy-efficient LED-UV water purification system. For complete peace of mind, it also includes additional hygiene features via Borg & Overström's Totality® methodology.

Easy-to-fit ventilation kit

A ventilation kit is included with this system. It's easy to install and increases the efficiency of the ProCore™ by allowing a continuous cycle of cool air.

Digital precision

The discreet digital touch panel has an antimicrobial coating for a reassuringly clean experience. Chilled, sparkling, or ambient water can also be dispensed touch-free via the Bluetooth® app.

Ultra-compact, durable ProCore™

The under-counter ProCore™ system is compact, easy to install out of sight. It's also low maintenance and fitted with the new eco R290 gas. The colour-coated GreenCoat® steel construction makes it sustainable and durable.

Energy-efficient

The T2 is consistently energy efficient, making it both economical and eco-friendly. It's also fitted with a low light sensor which sends the appliance into standby mode when the room is unoccupied.



Distinctive
by design.

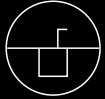
borg& overström

Water system



Dry Chill®

Configurations



Integrated Tap

Water options



Chilled



Ambient



Sparkling

Tap finishes



Steel



Black

borgandoverstrom.com



Distinctive
by design.

t2

Totality® - Hygiene-assured refreshment



Totality® is our assurance that water dispensed from a Borg & Overström water dispenser is as safe as it is refreshing. Water dispensers with a six-star Totality® rating deliver an exceptionally high standard of hygiene.



Digital precision

The discreet digital touch panel has an antimicrobial coating for a reassuringly clean experience. Chilled, sparkling, or ambient water can also be dispensed touch-free via the Bluetooth® app.



Advanced UV-led protection.

As an option, the T2 can be fitted with Viovand™, a mercury-free, chemical-free and energy-efficient LED-UV water purification system. For complete peace of mind, it also includes additional hygiene features via Borg & Overström's Totality® methodology.



Sealed drinking water system.

Dry Chill® is the most hygienic cooling process. No water is stored within the system, which greatly reduces the opportunity for bacteria to become established. Dry Chill® also produces a larger volume of lower temperature water due to its faster recovery time.



Independently certified anti-microbial, antipathogen sanitising procedure.

All dispensers are sterilised using Sterizen® sanitising infusion. No other brand of watercooler goes through this process, which is why only Borg & Overström appliances are laboratory certified to be 99.999% bacteria reduced.



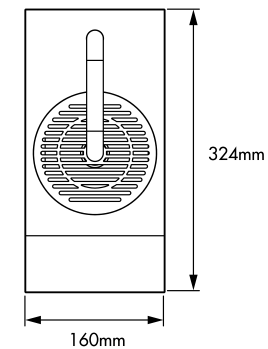
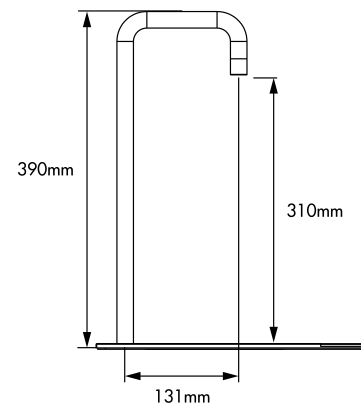
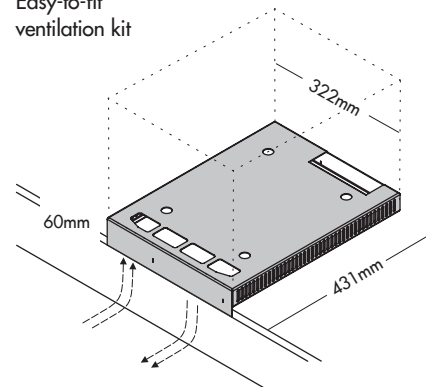
High-performing, easy to fit carbon filters.

3M carbon filters provide the highest level of water hygiene security for your dispenser over a longer period of time. All Borg & Overström water dispensers can be fitted with 3M carbon filters.

Distinctive
by design.

T2 Specifications		Dispense options	Max power consumption	Black	Steel	Black ECO-UV	Steel ECO-UV
Power requirements Hertz 50/Volts 230-240	T2 ProCore						
Water system Dry Chill®	Throughput flow rate 50 litres per hour (LPH) 60 500ml bottles per hour (BPH)	Chilled & Ambient	140W	742000	742010	742020	742030
Chilled temperature Min 2°C/Max 11°C		Chilled & Sparkling	200W	742080	742090	742100	742110
Tap height 390mm		Chilled, Ambient & Sparkling	200W	742160	742170	742180	742190
Dispense height 310mm	T2 ProCore+						
ProCore dimensions W320xD375xH350mm	Throughput flow rate 80 litres per hour (LPH) 90 500ml bottles per hour (BPH)	Chilled & Ambient	140W	742240	742250	742260	742270
Simple-fit Ventilation Base W322xD431xH60mm (Includes 20mm overhang)		Chilled & Sparkling	200W	742320	742330	742340	742350
		Chilled, Ambient & Sparkling	200W	742400	742410	742420	742430

Easy-to-fit
ventilation kit



Distinctive
by design.

Additions for T2



Biodegradable paper cups
Environmentally-friendly disposable cups designed to fit Borg & Overström cup dispensers perfectly.



Personal drinking bottles
500ml capacity in black or grey gloss finish. Comes with quick-release leak-proof cap and carry strap.



500/750ml glass bottles
Suitable for dishwashers and bottlewashers. Both sizes are a perfect fit for the T2 tap. Stylish swing-top lid.



Deep Sparkle® CO² refills
Can be disposed via standard steel recycling or general waste. Requires CO² regulator with gauge.



Sanitisation kit
Six monthly sanitising cycles ensure appliances function at the optimum hygiene levels.



Waste kit overflow sensor
Featuring an audible high-water level alarm to prevent the waste tank from overflowing.



Install kit with 3M filter
Install appliances simply and effectively in a wide range of applications. Complete with a 3M filter.

Distinctive
by design.



Book a personal demonstration of the T2

Talk to an adviser

+44 (0) 1362 695 006

sales@borgandoverstrom.com